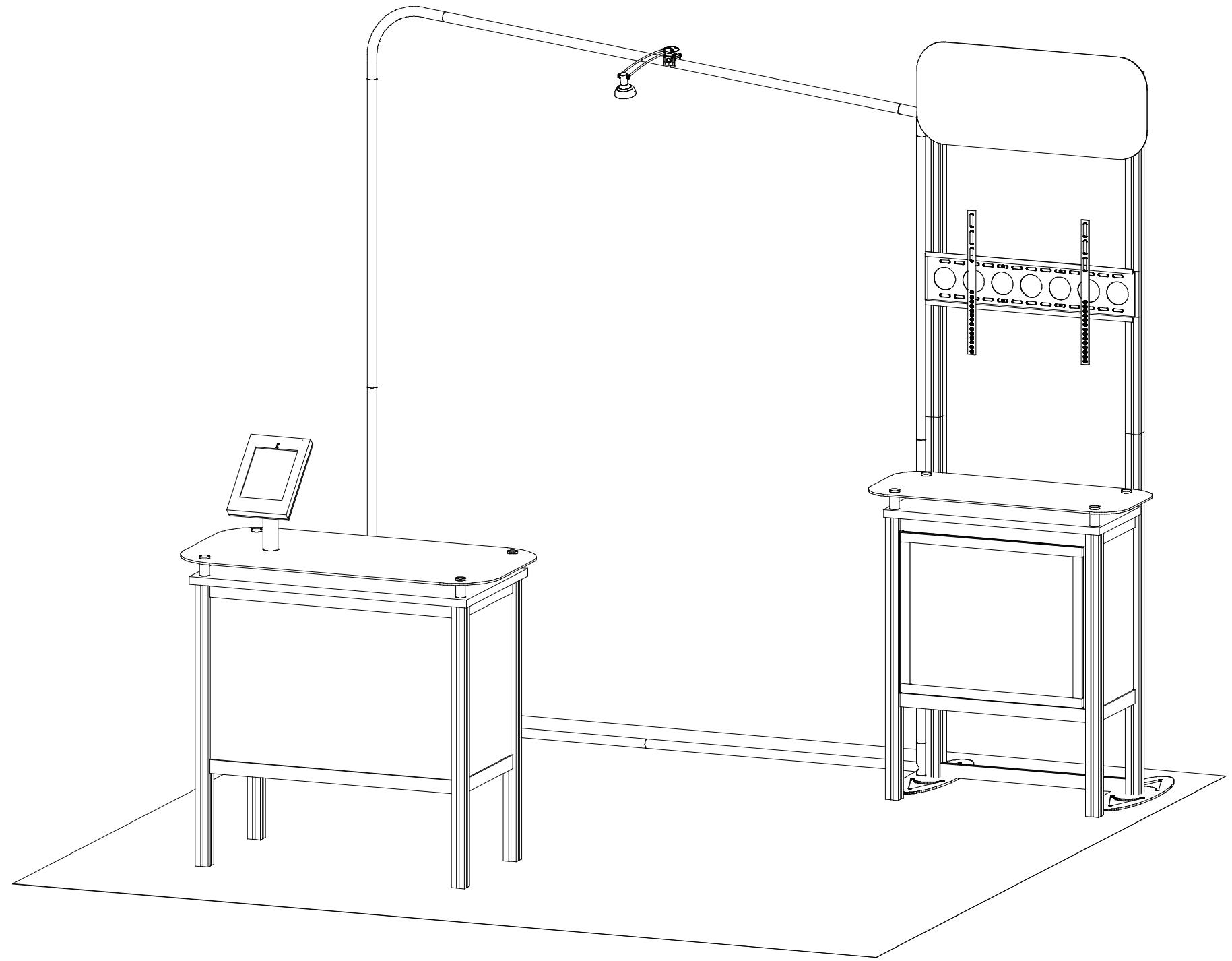


Plan View



## General Setup Instructions

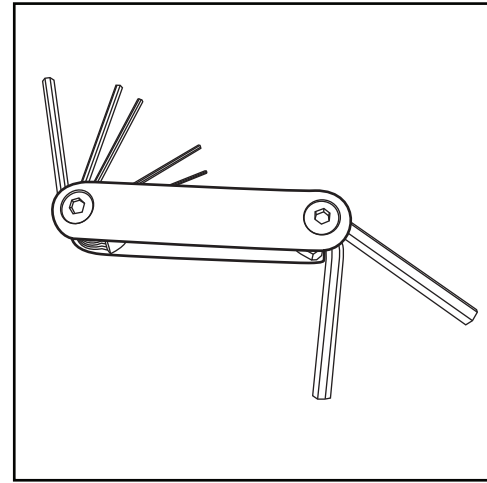
- Read entire setup instruction manual prior to unpacking parts and pieces.
- The setup instructions are created specifically for this configuration.
- Setup instructions are laid out sequentially in steps, including exploded views with detailed explanation for assembly.

## Cleaning & Packing

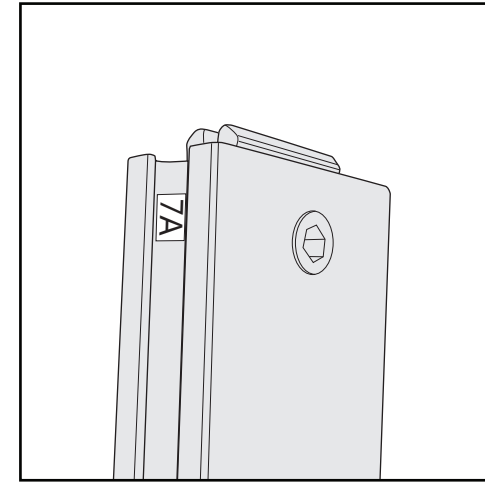
- For Cleaning Metal, Plex, & Laminate Parts: Use a **MILD NON-ABRASIVE** cleanser and soft cloth/paper towel to clean all surfaces.
- Keep exhibit components away from heat and prolonged sun exposure.  
**Heat and UV exposure will warp and fade components.**
- Retain all provided Packing Materials. All provided packing materials are for ease of repacking & component protection.

## Disassembly

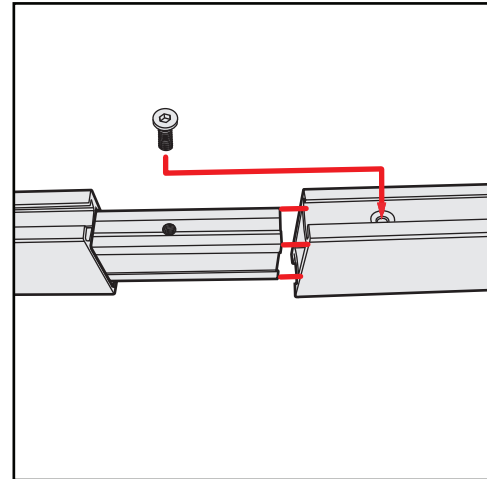
- For loss prevention, tighten all setscrews and locks during disassembly



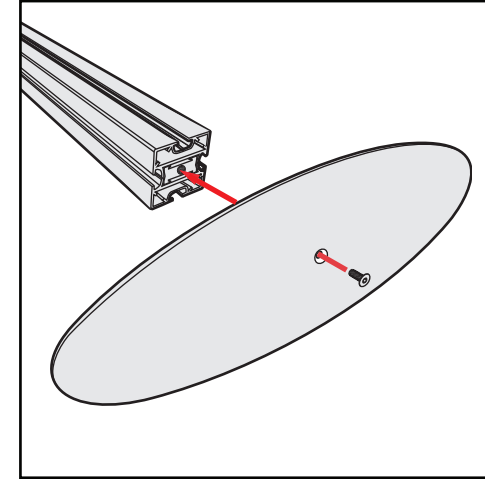
Hex Tool - Essential for Assembly



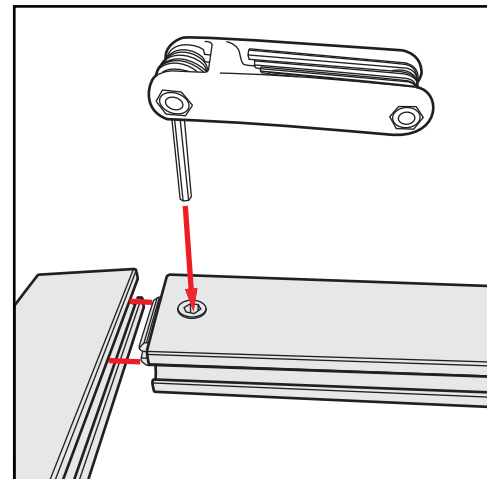
Part Identification - Numbering



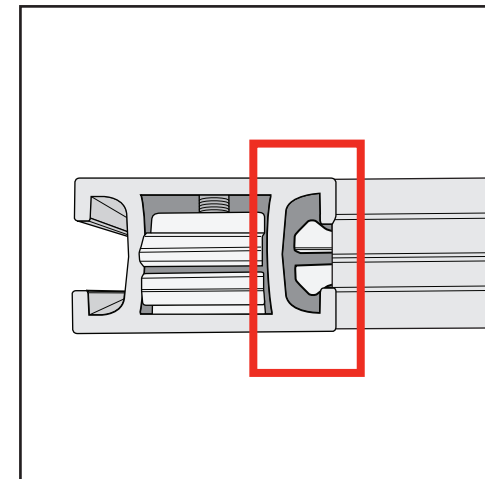
Spline Connection



Base Plate & Extrusion Connection



Extrusion & Lock Connection



Engaged Lock



**WARNING**



DO NOT USE POWER TOOLS

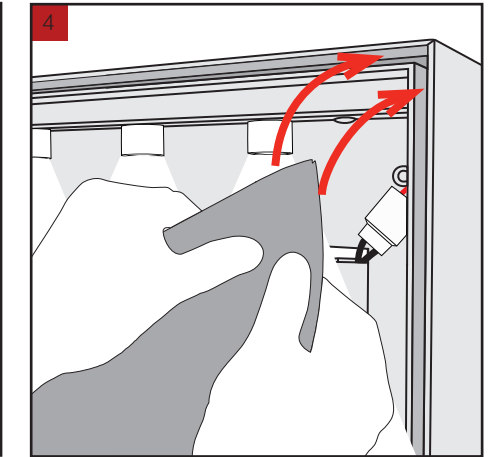
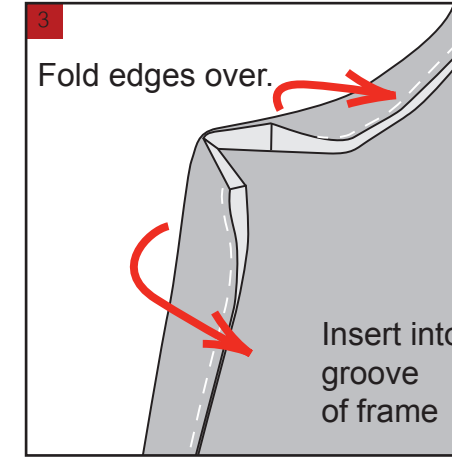
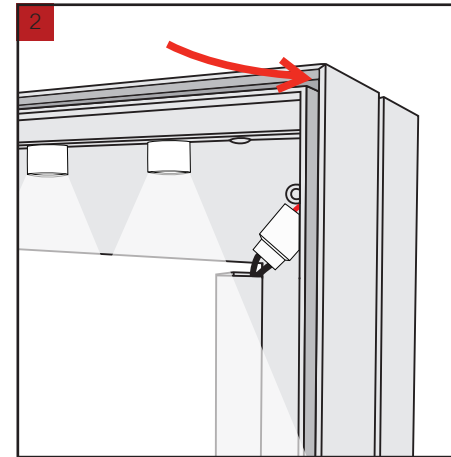
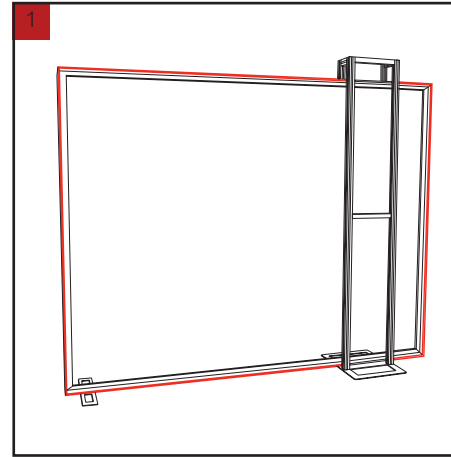


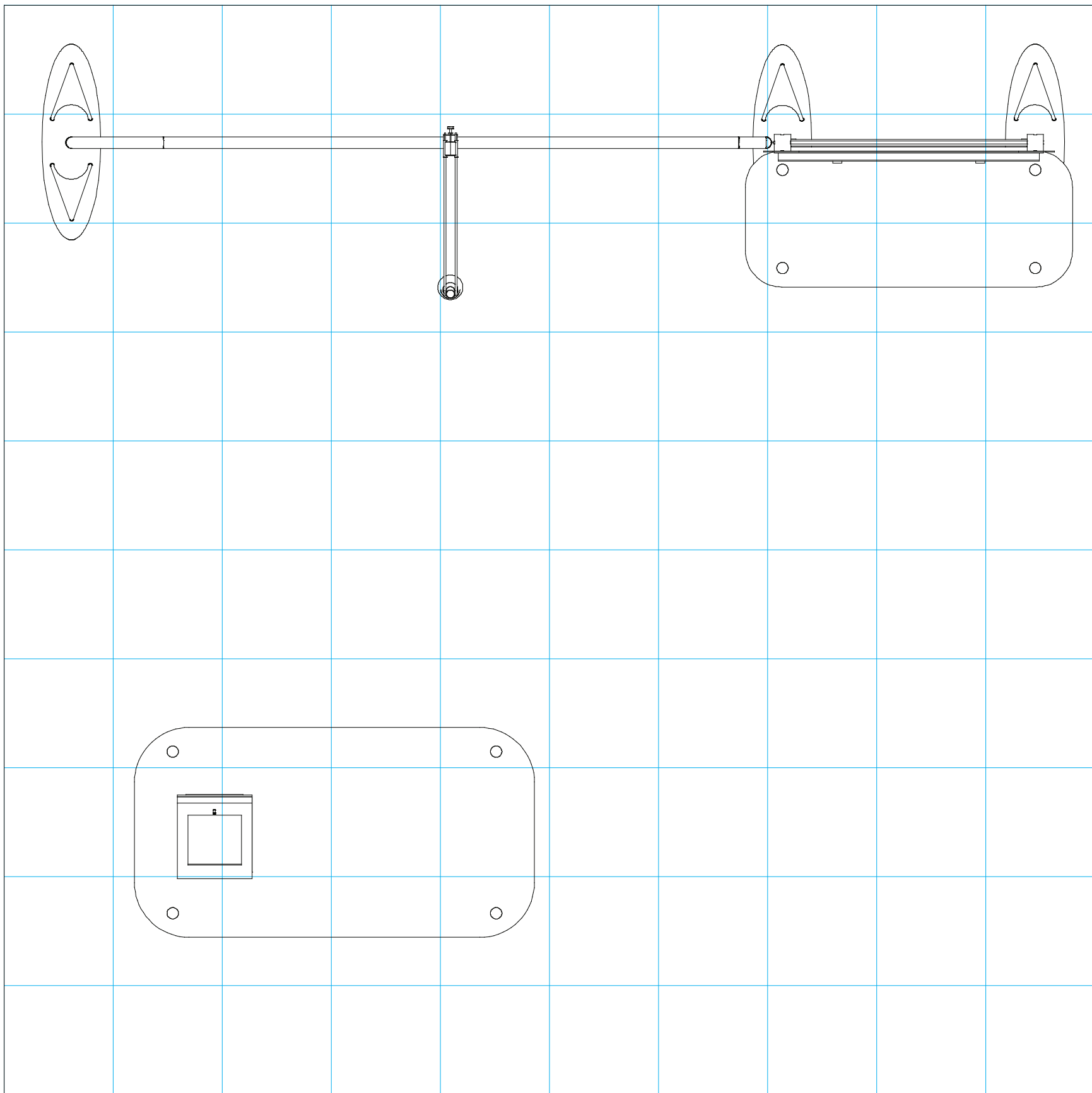
LADDERS OR LIFTS  
MAY BE REQUIRED



ALL CONNECTIONS MUST  
BE TIGHTLY SECURED

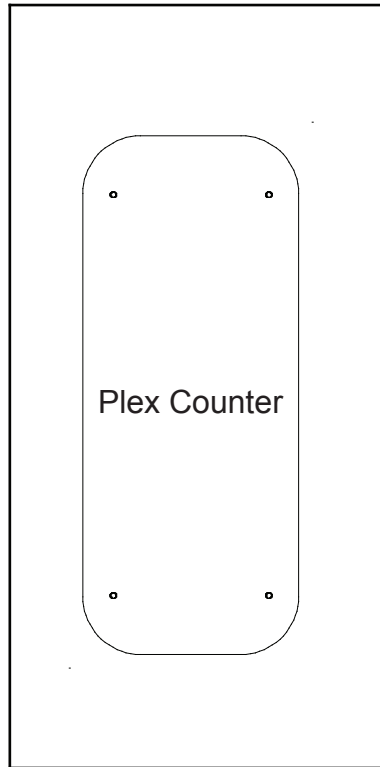
- 1) Locate channels along the edges of extrusions
- 2) Insert graphic corners first into channels then center point of graphic into channels. Allows for proportional fit around the perimeter of the extrusion.
- 3) Working from center to corner, slide silicon edge on graphic into channel.
- 4) After all edges of graphic have been inserted into channels, step back and assess graphic fit, make adjustments where needed.



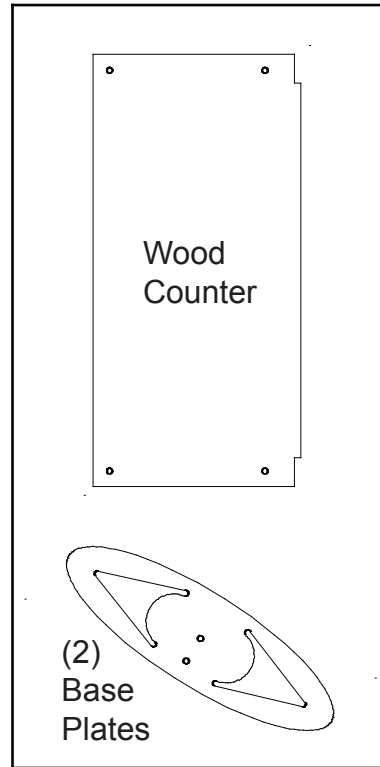


= 1 sq foot

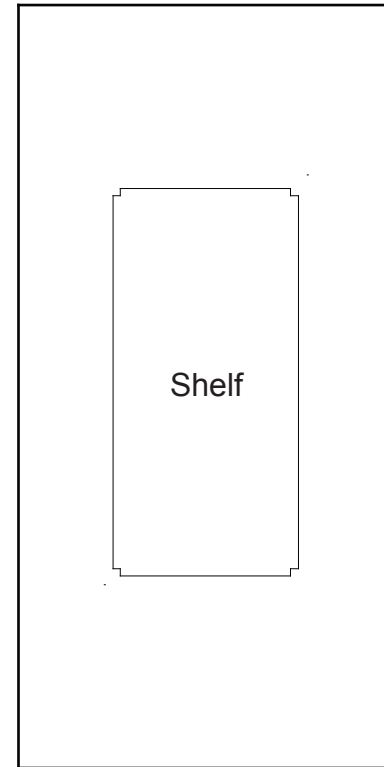
### Top View of Each Level



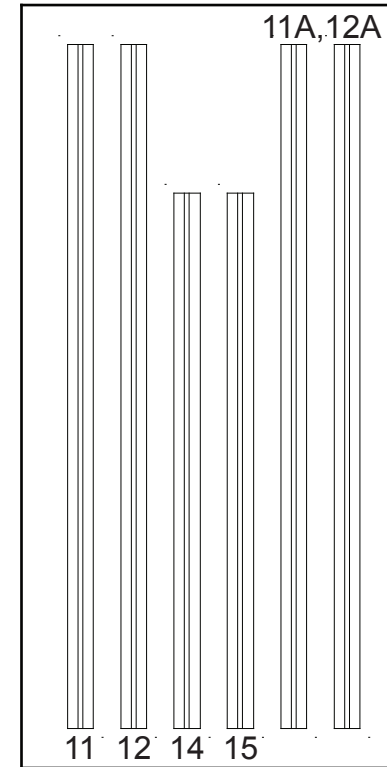
Level 1



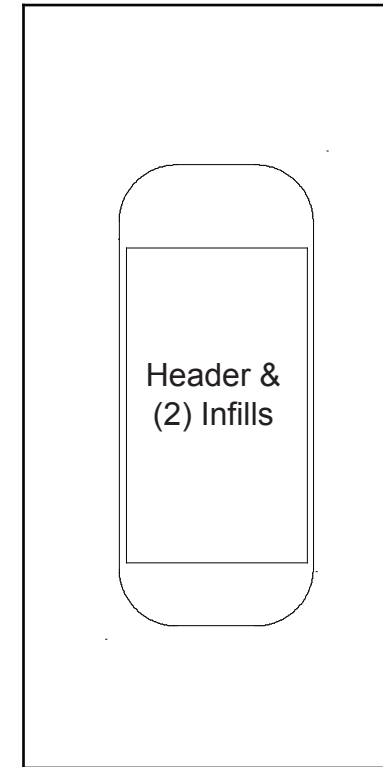
Level 2



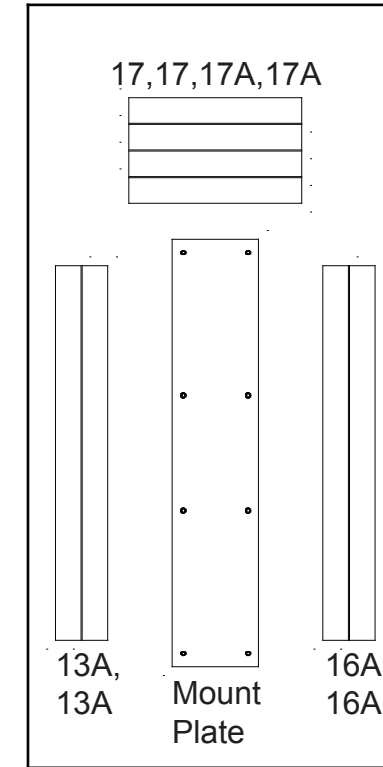
Level 3



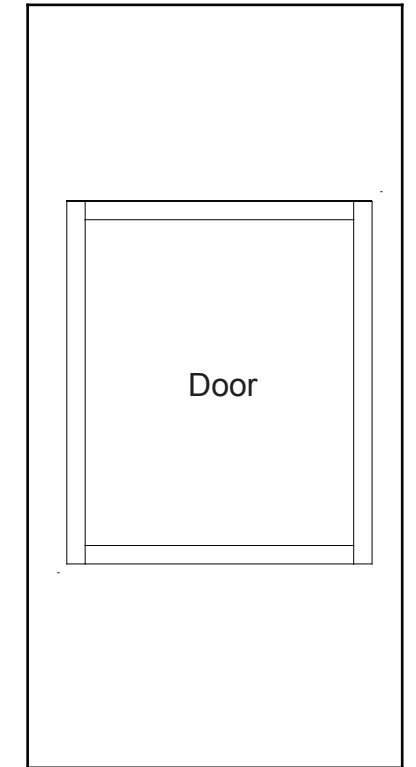
Level 4



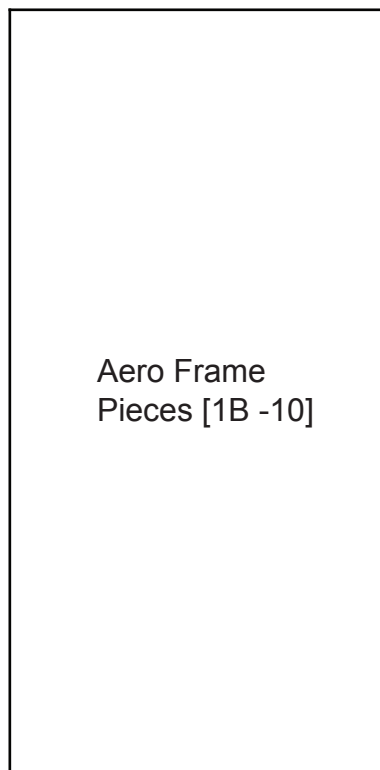
Level 5



Level 6



Level 7



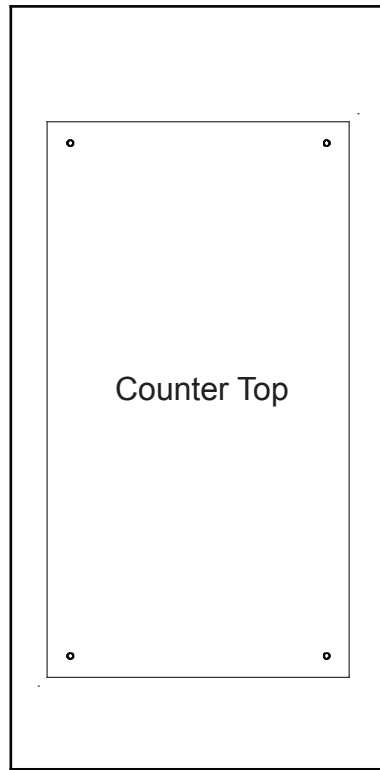
Level 8



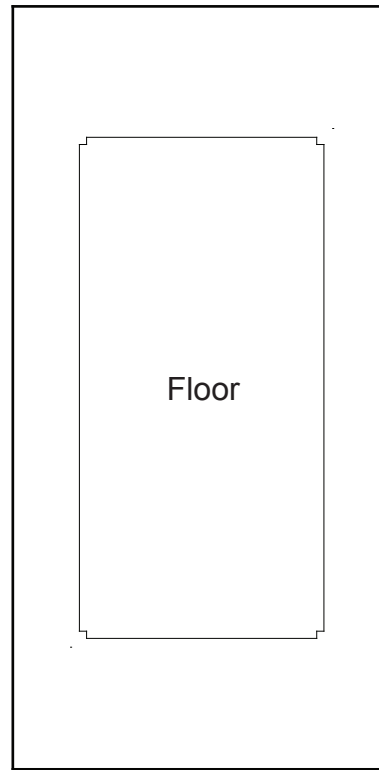
### Top View of Each Level



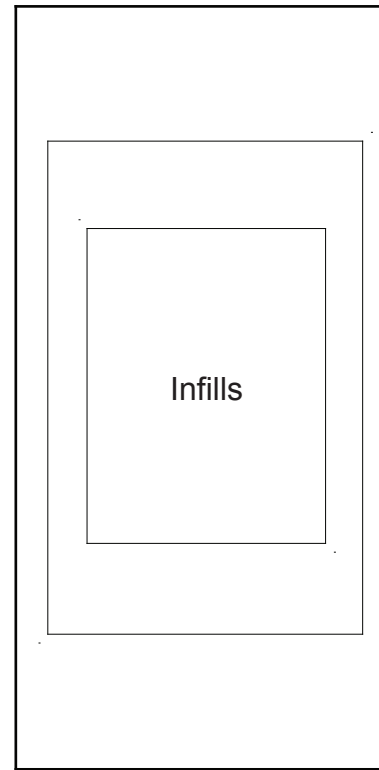
Level 1



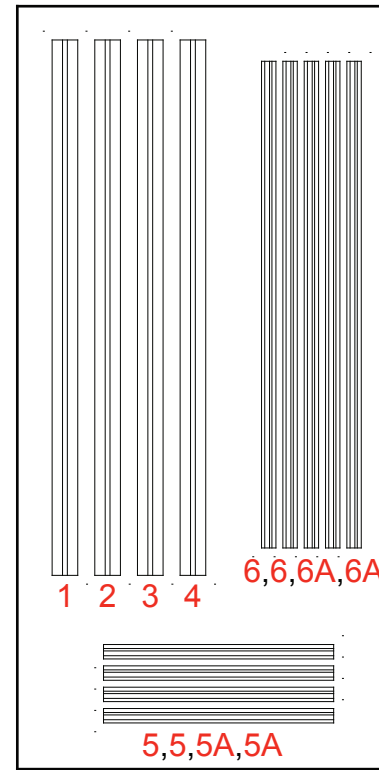
Level 2



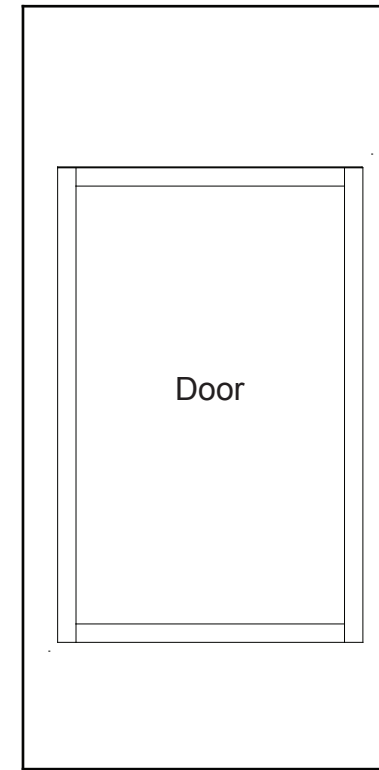
Level 3



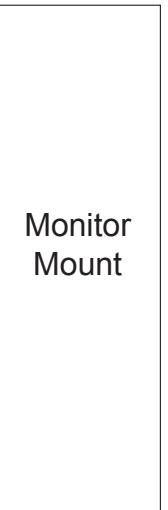
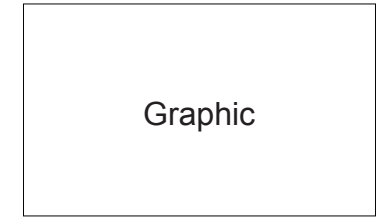
Level 4



Level 5



Level 6



# AERO

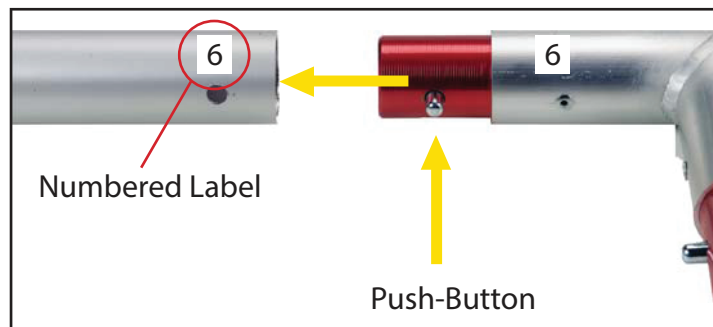
## Using Your Setup Instructions

The Aero Setup Instructions are created specifically for your configuration. The instructions include an exploded view of the frame which is sequentially labeled. We encourage you to review the instructions before attempting to assemble your exhibit.

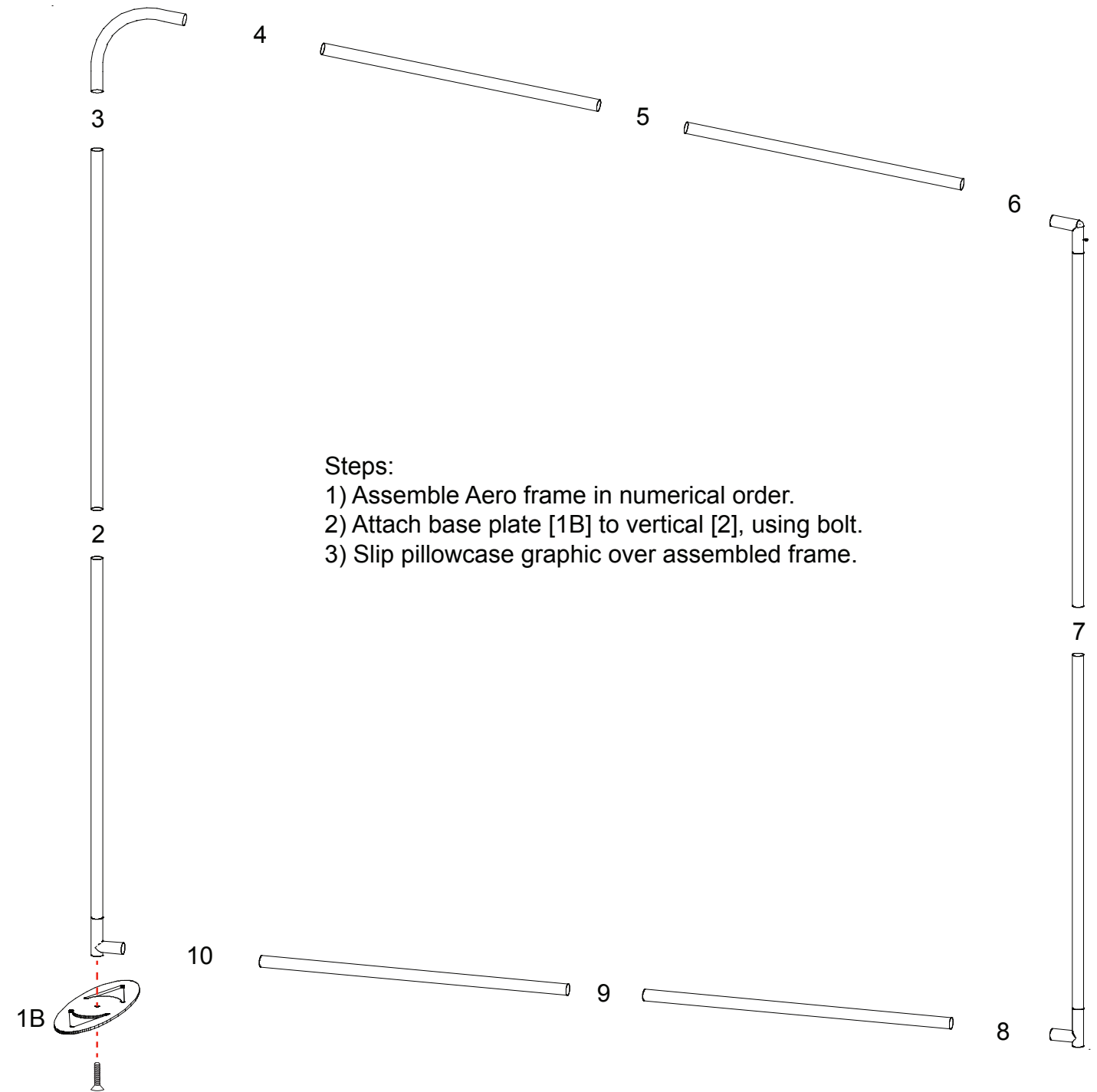
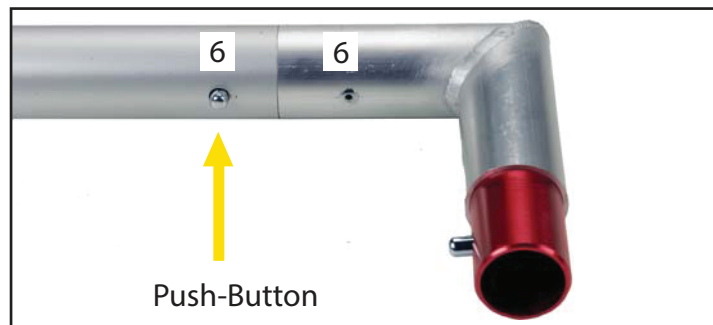
Connections are kept very simple; no tools required. Everything assembles with push-button connectors.

## Cleaning and Packing Your Display

- 1) Use care when cleaning aluminum extrusion or acrylic inserts. Use only non-abrasive cleaners.
- 2) Retain all packing material. It will make re-packing much easier and will reduce the likelihood of shipping damage.



Connections are made by holding the button down and sliding the red tube into opposing tube until the connection is made. To disassemble push button and pull or twist extrusions apart.



### Steps:

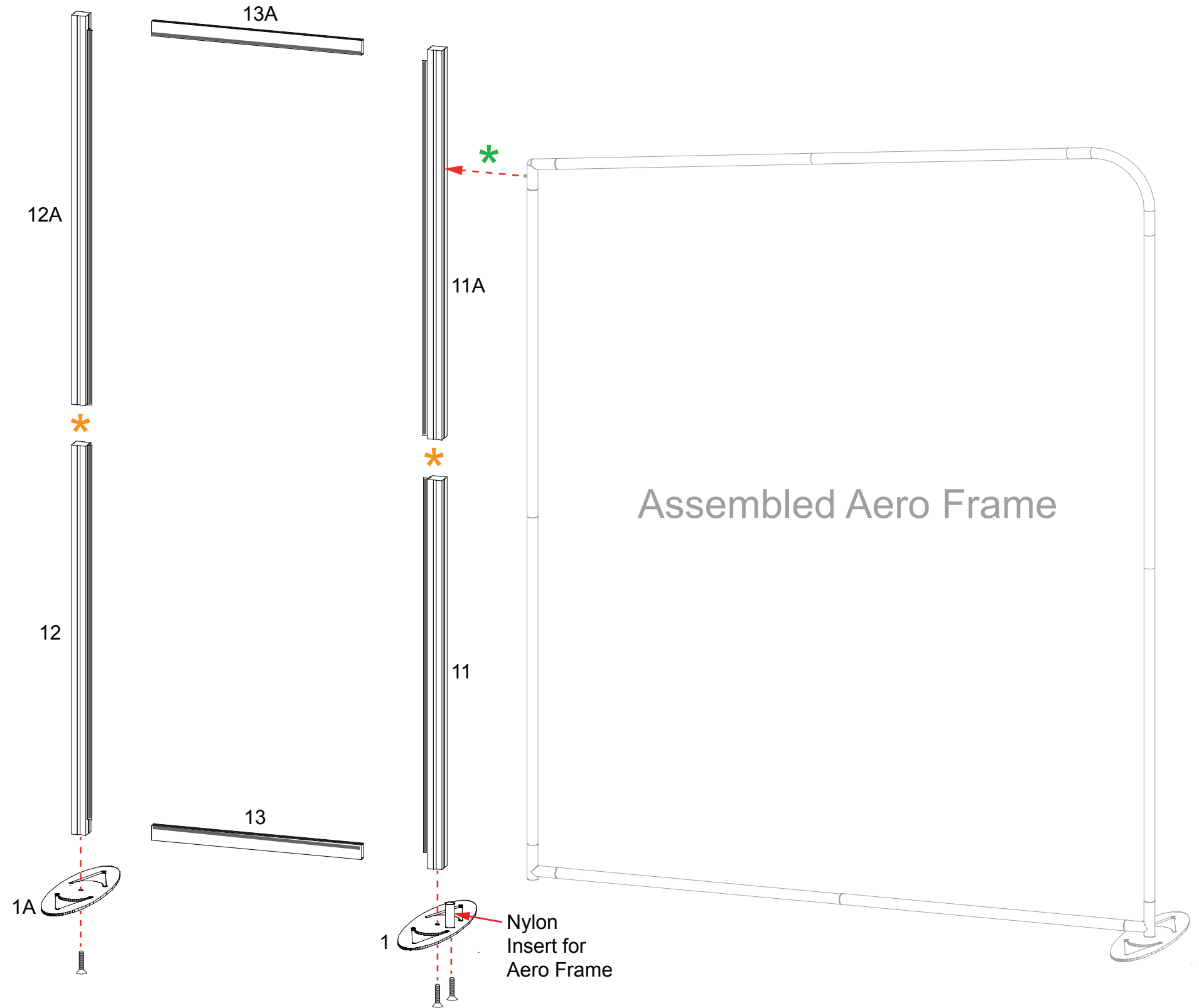
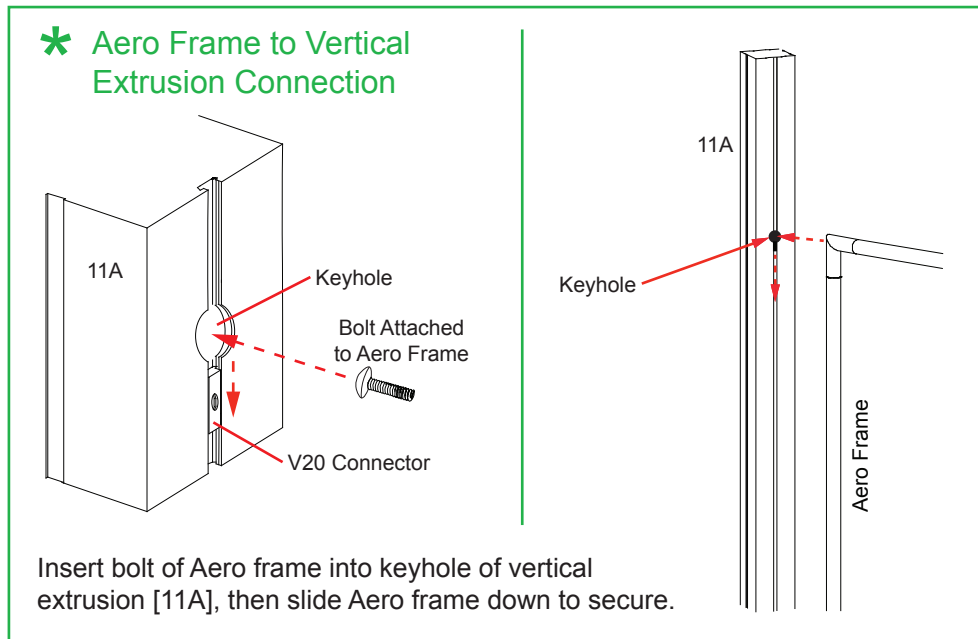
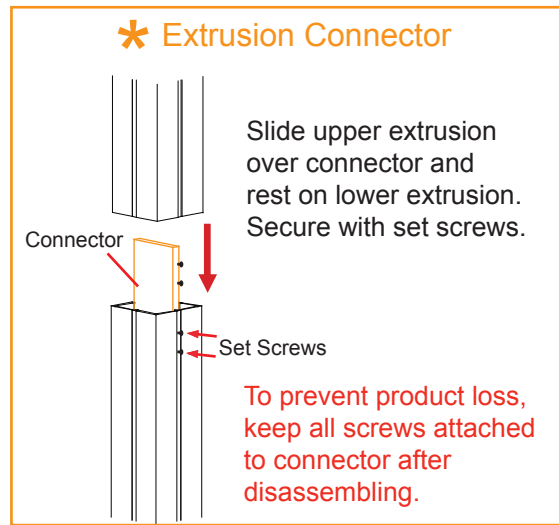
- 1) Assemble Aero frame in numerical order.
- 2) Attach base plate [1B] to vertical [2], using bolt.
- 3) Slip pillowcase graphic over assembled frame.



Item	Qty.	Description
1,1A	2	Base Plate
11,11A	1,1	47.5" S44 Vertical Extrusion
12,12A	1,1	47.5" S44 Vertical Extrusion
13,13A	1,1	26" Z45 Horizontal Extrusion

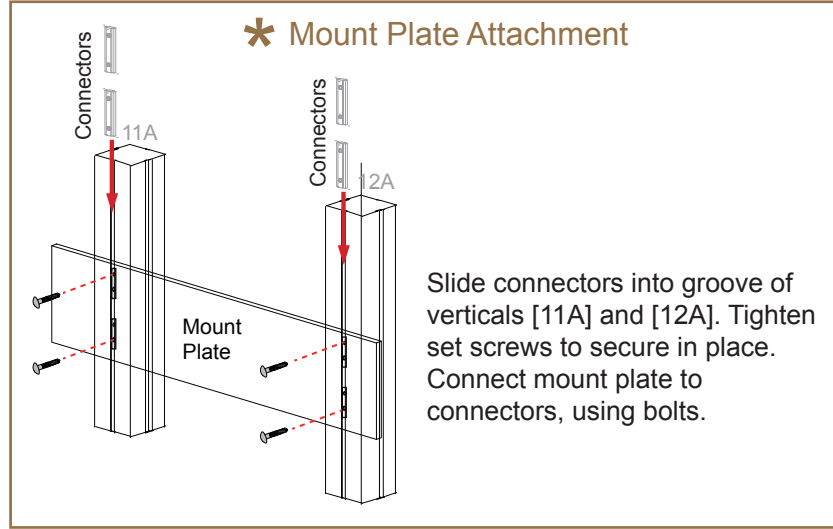
Steps:

- 1) Connect verticals [11 to 11A] and [12 to 12A]. See **Extrusion Connector** detail.
- 2) Attach base plate [1] to vertical [11] and [1A] to vertical [12], using bolt.
- 3) Connect horizontals [13] and [13A] between vertical assemblies [11/11A] and [12/12A].
- 4) Connect assembled Aero frame to key hole on vertical [11A] and rest on nylon insert of [1A]. See **Aero Frame to Vertical Extrusion Connection** detail.

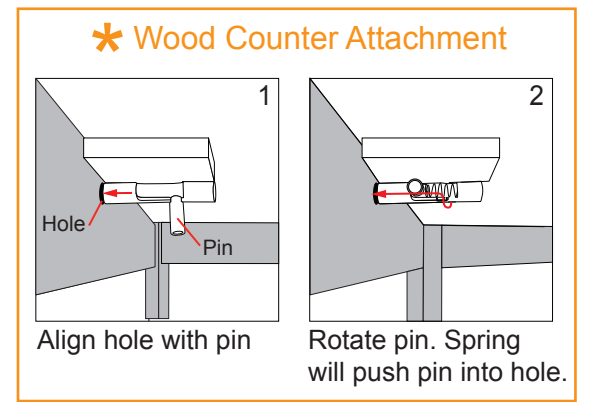
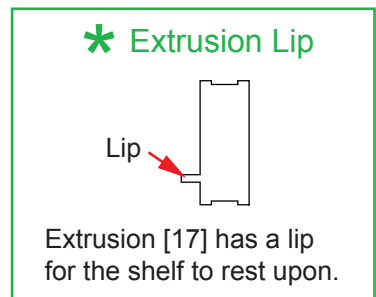
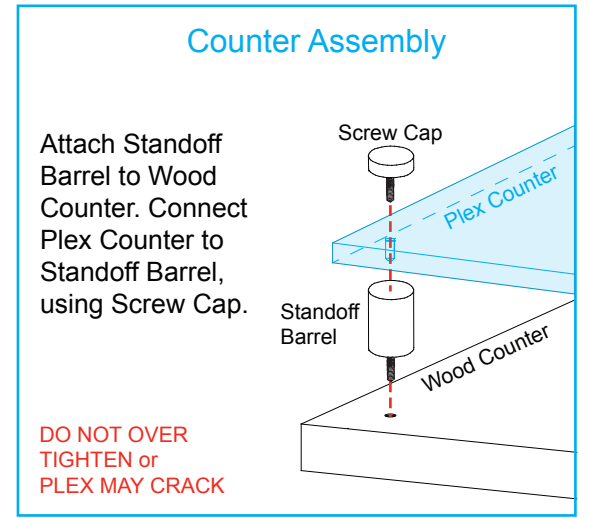
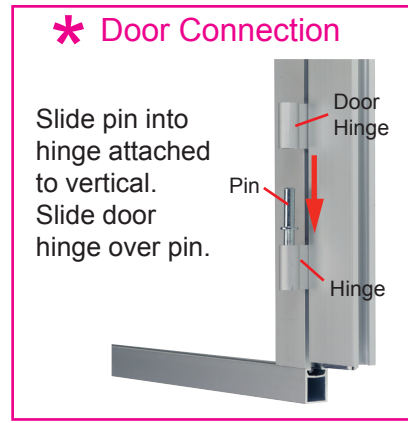
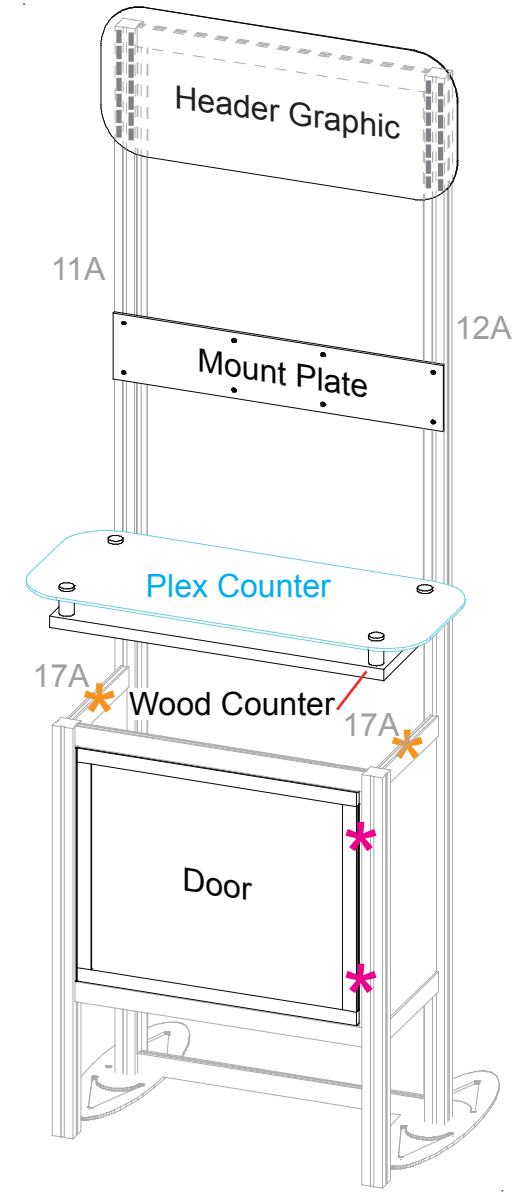
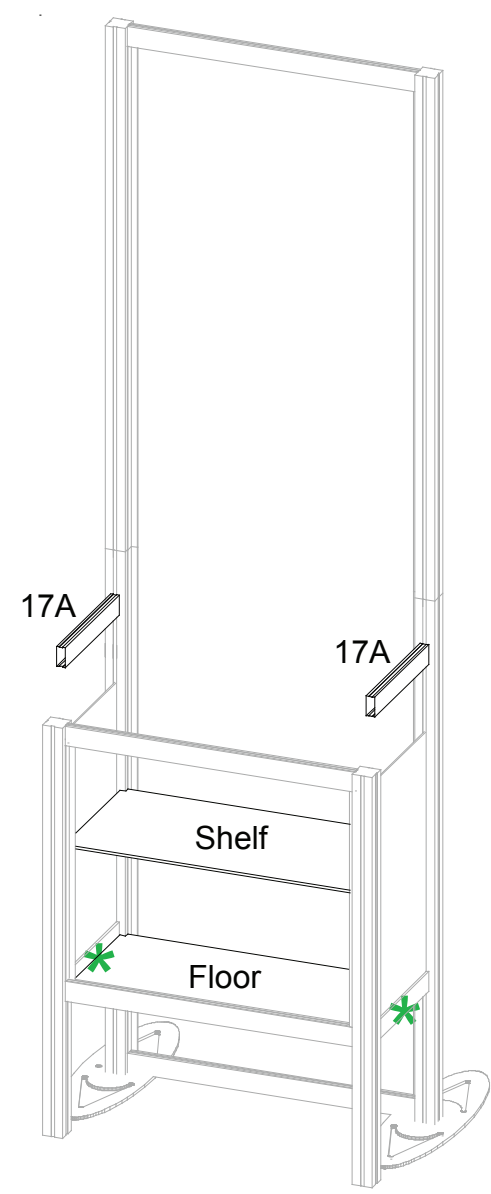
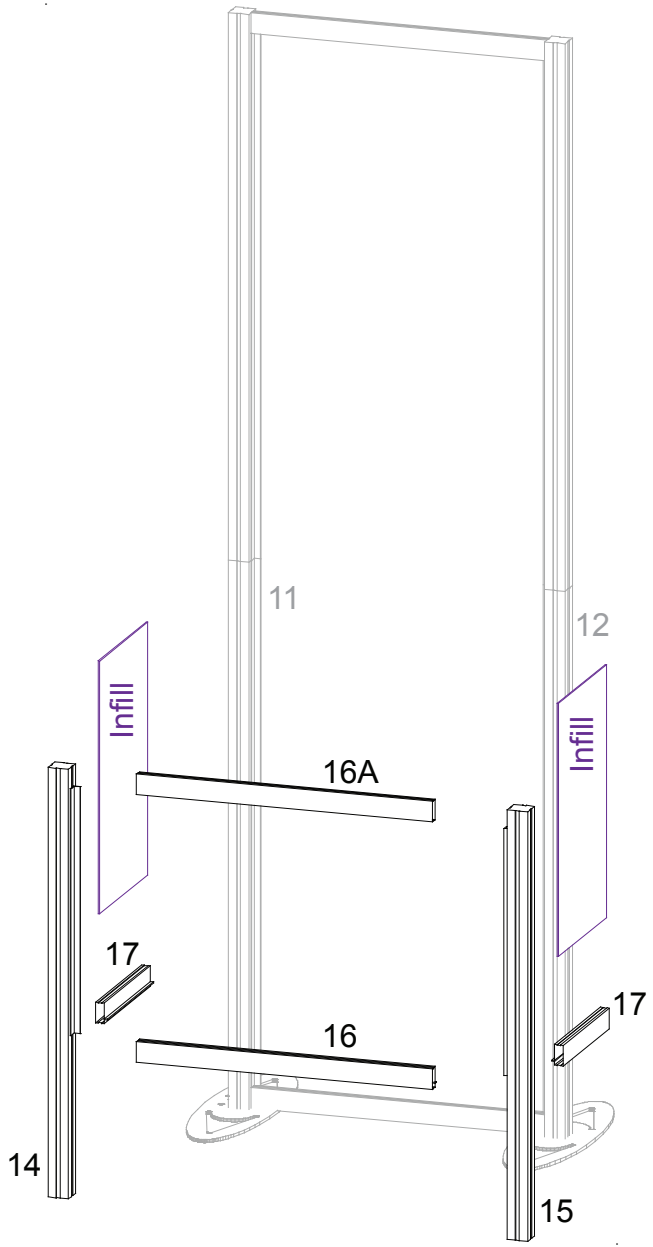


BACK VIEW

Item	Qty.	Description
14	1	37.25" S44 Vertical Extrusion w/ Door Stop
15	1	37.25" S44 Vertical Extrusion w/ Door Hinges
16,16A	1,1	26" Horizontal Extrusion
17,17A	2,2	12" Horizontal Extrusion

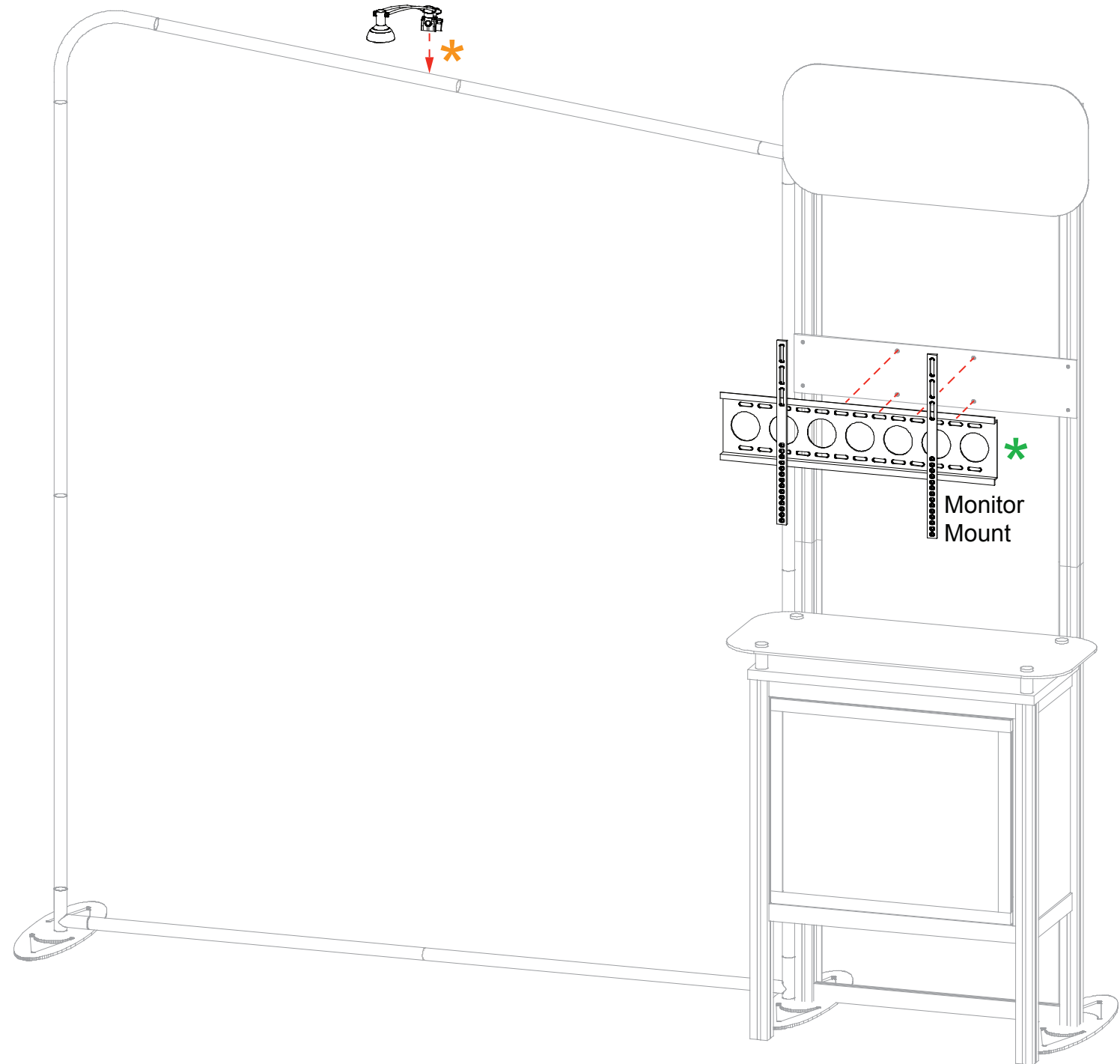
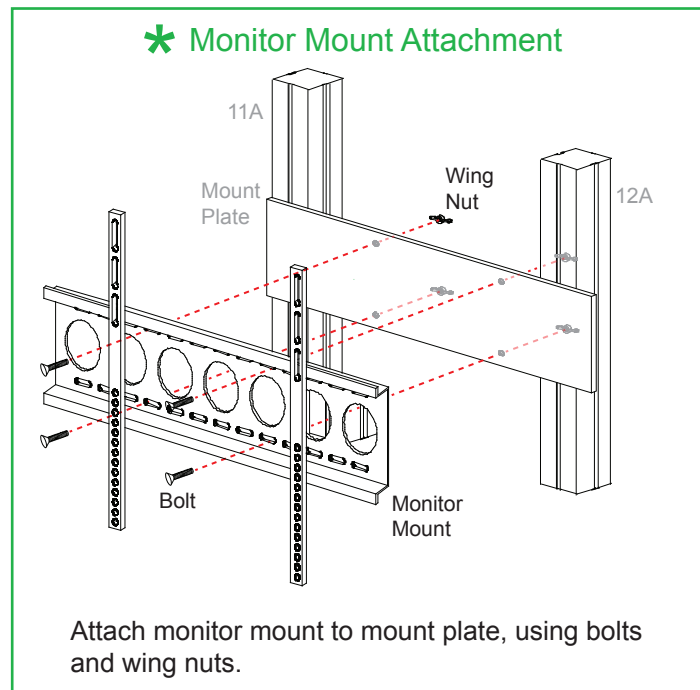
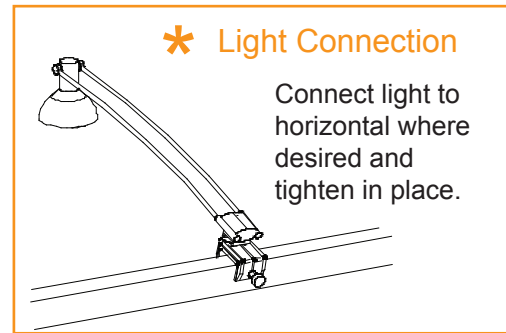


- Steps:
- 1) Attach horizontals [16] & [16A] between verticals [14] & [15].  
NOTE: Install [16] at the base of door stop.  
Install [16A] at top of door stop.
  - 2) Attach horizontals [17] between verticals [14] & [15] and Backwall verticals [11] & [12].
  - 3) Place Floor onto horizontals [17] and rest on lips.  
See **Extrusion Lip** detail.
  - 4) Insert **Infills** between verticals [14] & [15] and Backwall verticals [11] & [12]. Secure with horizontals [17A].
  - 5) Connect shelf supports to Velcro on inside of Infills, then set Shelf on top of supports.
  - 6) Assemble Plex & Wood Counters together.  
See **Counter Assembly** detail.
  - 7) Attach assembled Counters to horizontals [17A].  
See **Wood Counter Attachment** detail.
  - 8) Connect Door to vertical [15]. See **Door Connection** detail.
  - 9) Attach Mount Plate to verticals [11A] & [12A]. See **Mount Plate Attachment** detail.
  - 10) Connect Header Graphic to Velcro on verticals [11A] & [12A].



Steps:

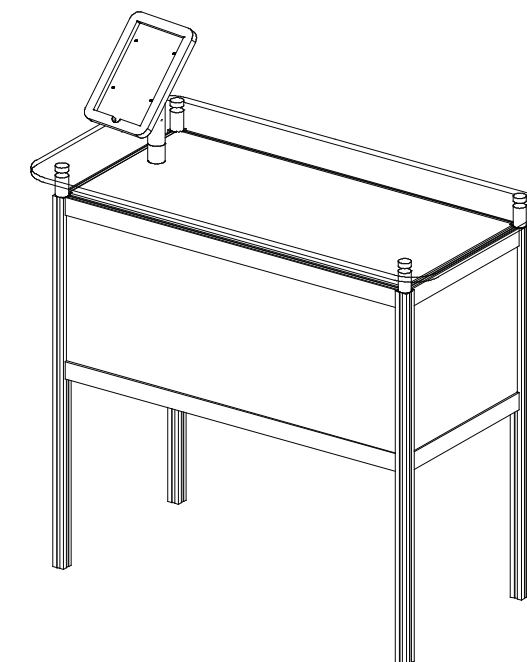
- 1) Attach lights at desired location, on top assembled Aero frame. See [Light Attachment](#) detail.
- 2) Attach monitor mount to mount plate. See [Monitor Mount Attachment](#) detail.



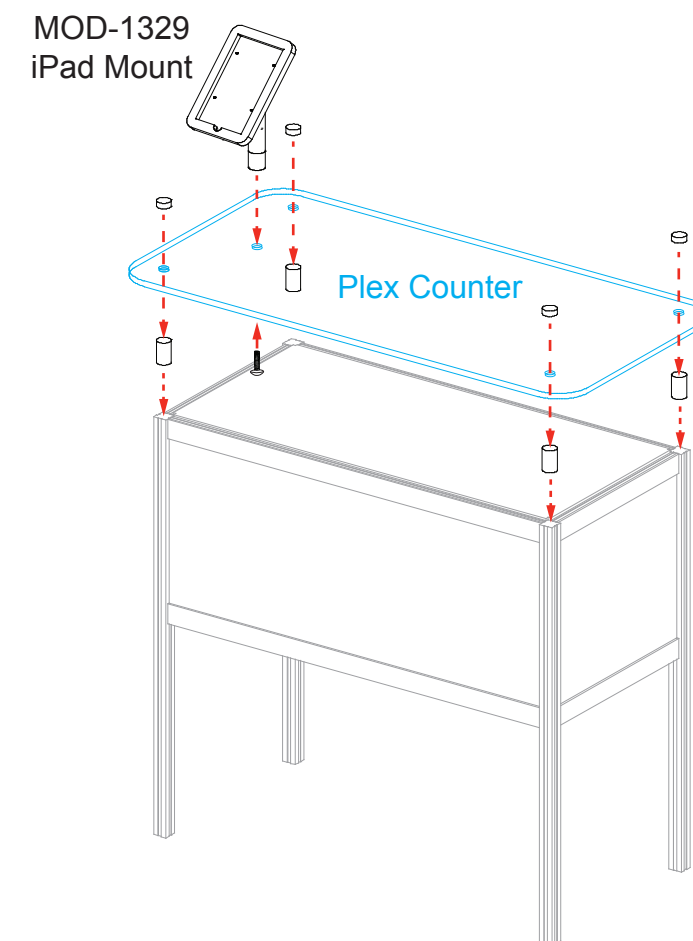
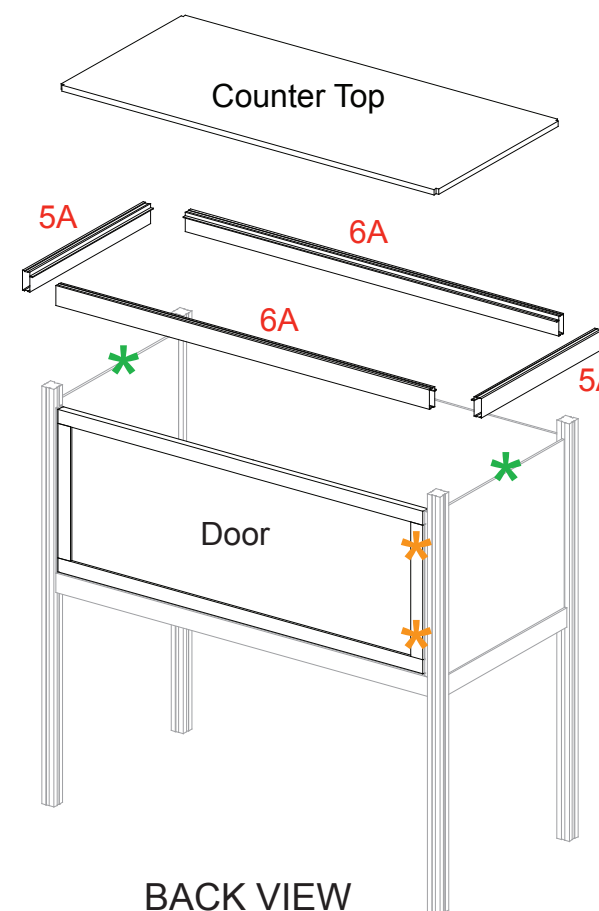
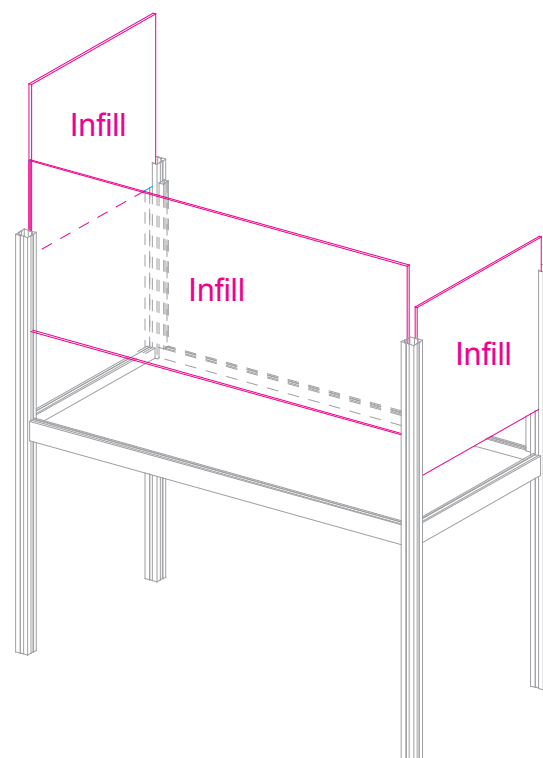
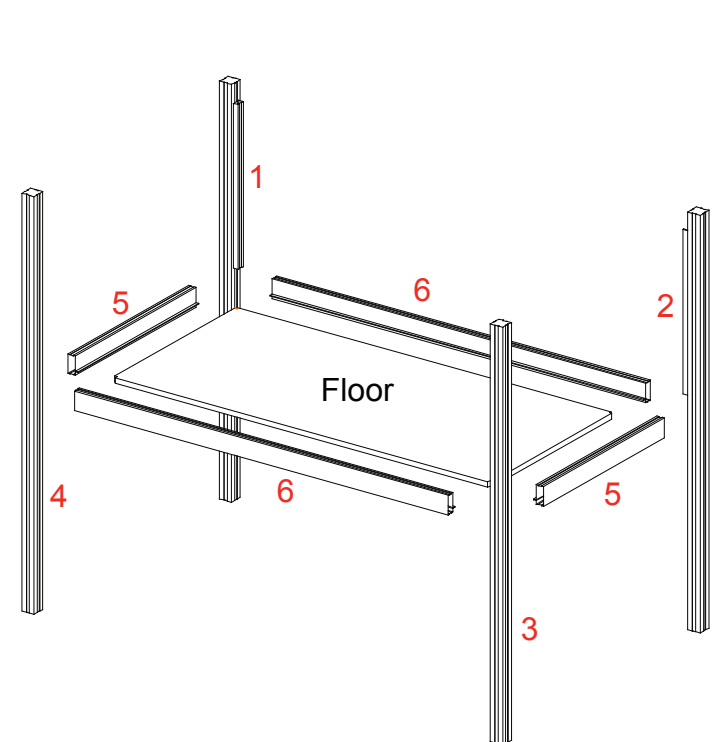
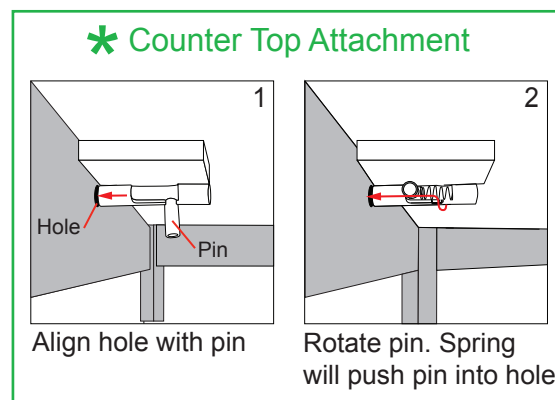
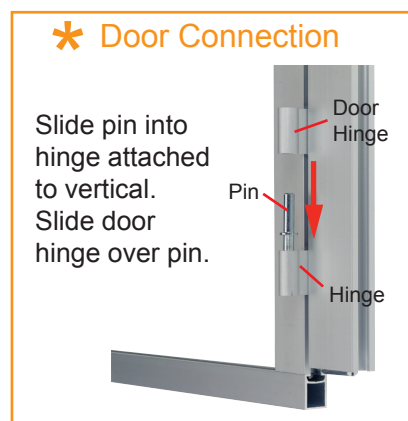
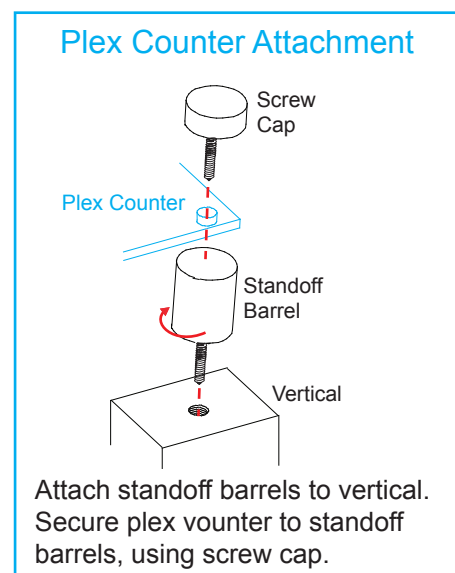
Item	Qty.	Description
1	1	37.75" Vertical Extrusion w/ Door Hinges
2	1	37.75" Vertical Extrusion w/ Door Stop
3	1	37.75" Vertical Extrusion
4	1	37.75" Vertical Extrusion
5,5A	2,2	16" Horizontal Extrusion
6,6A	2,2	33.77" Horizontal Extrusion

Steps:

- 1) Attach horizontals [6] between verticals [1] [2] and [3] [4].
- 2) Attach horizontals [5] between verticals [1] [4] and [2] [3].
- 3) Set floor on lips of horizontals [5] and [6].
- 4) Insert **infills** between verticals [1] [4], [2] [3] and [3] [4].
- 5) Attach horizontals [5A] between verticals [2] [3] and [1] [4].
- 6) Attach horizontals [6A] between verticals [3] and [4].
- 7) Connect assembled door. See **Door Connection** detail.
- 8) Set counter top on top of [5A] and [6A]. See **Counter Top Attachment** detail.
- 9) Screw threaded end of standoff barrels into the counter top.
- 10) Place plex counter on top of standoff barrels, then secure with screw caps. See **Plex Counter Attachment** detail.
- 11) Refer to next page to assemble MOD-1329 iPad mount.
- 12) Attach MOD-1329 iPad mount to top of plex counter.

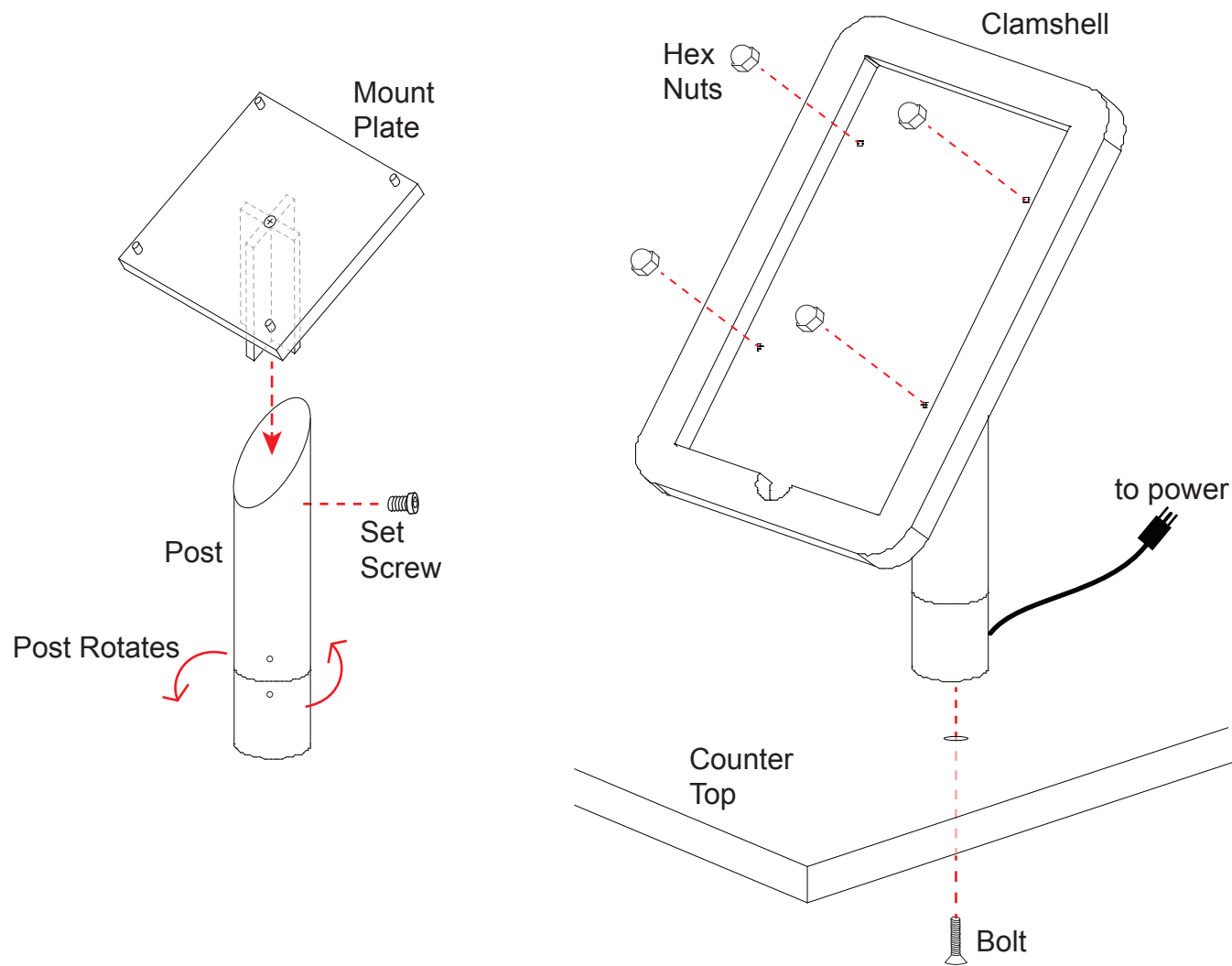


Completed Assembly

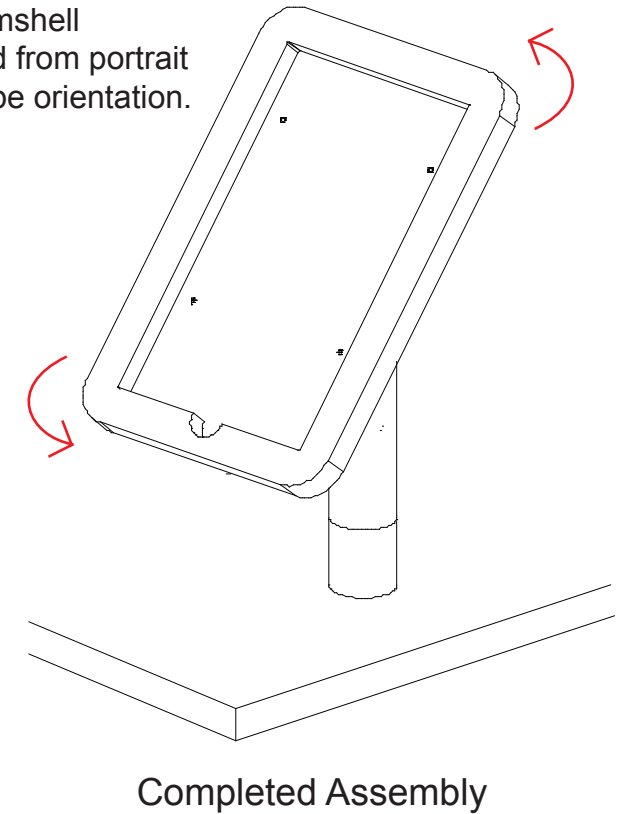


Steps:

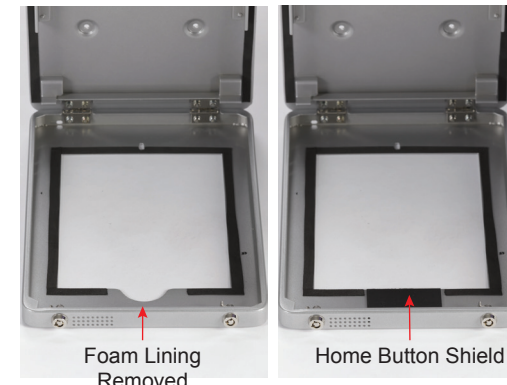
- 1) Attach mount plate to post, using set screw.  
*NOTE: Mount plate must rotate to left and right before installing clamshell.*
- 2) Attach post assembly to counter top, using bolt from under counter top.
- 3) Attach clamshell to mount plate, using hex nuts.
- 4) Insert iPad in clamshell, then route cords. See [Cord Management for iPad](#) detail.



Rotate clamshell to turn iPad from portrait to landscape orientation.



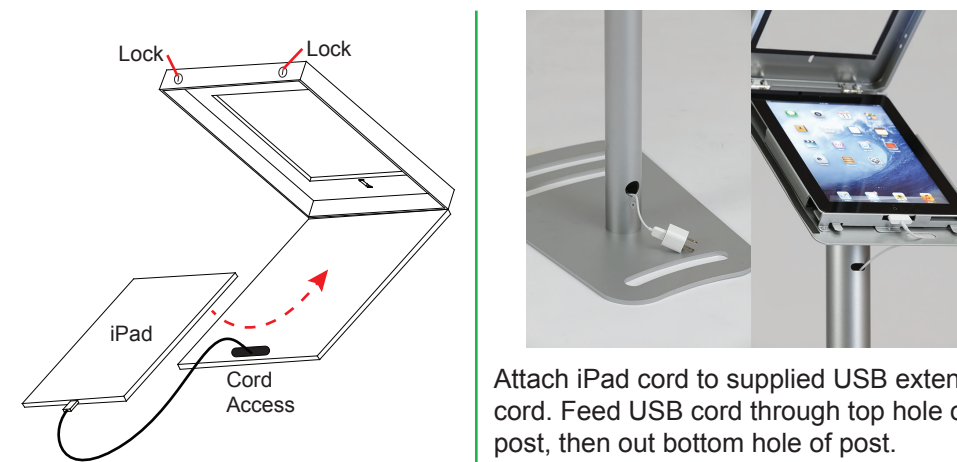
Optional Cover for Home Button



- 1) Remove foam lining from inside bottom of clamshell.
- 2) Attach Home Button Shield with double-sided tape to inside of clamshell, keeping top of shield flush with clamshell opening.

*NOTE: This is a permanent fix and can't be easily removed.*

Cord Management for iPad



Attach iPad cord to supplied USB extension cord. Feed USB cord through top hole of post, then out bottom hole of post. Connect to power.